



The Multi-Purpose Indoor ATM

Expanding Income Opportunities

The *NURIT 6000* - a sophisticated indoor ATM - generates *maximum revenue* in *minimum space*.

With the *NURIT 6000*, every *retailer* – large or small- can offer a range of *banking* and other *services*... increasing *loyalty* while *attracting new customers*.

Customers can use the *NURIT 6000 self-service, fee-generating, banking kiosk* to ...

- conduct a range of *bank transactions*
- receive *cash*
- *access banking information*
- make *cash* and *credit card payments*, including *prepaid services* (e.g., *mobile phone time*)

The optional *Cash Acceptor* supports most world currencies. In addition to paying bills and buying prepaid cards, customers can pay cash for purchases - including meals – while waiting in line. They can get a receipt, have their orders processed, and pick them up – in one efficient, timesaving process.

The optional *Prepaid Card Dispenser* enables the automated sale of prepaid cards, offering added customer convenience – as well as the benefits of budget control - while increasing impulse buying and overall profitability for merchants.



The *fully customizable user interface* offers *added revenue* from *value-added services*, including ...

- *dispensing coupons* & assorted *information*
- *in-store messaging*
- *advertising 3rd party offers*

A State-of-the-Art Management System

Supported by a scalable, easily customized *Management System*, the *NURIT 6000* offers *PC-based, back-office monitoring* and *servicing*. Capabilities include remote management, diagnostics, failure alerts, and performance and inventory checks.

Retailers can receive *unlimited, real-time updates* - *via the Internet* - regarding ATM *usage* and *revenues* earned.

Advertisements can be sent to selected ATM units and displayed on the screen according to pre-determined parameters that control timing, viewing order, etc.



Self-Service



LandLine



Wireless



Security

- Malls
-
- Food courts
-
- Fast Food Restaurants
-
- Convenience Stores
-
- Grocery Stores
-
- Gas Stations
-
- Apartment Buildings
-
- Office Buildings
-
- Stadiums & Arenas
-
- Convention/Exhibition Centers
-
- Golf & Tennis Venues
-
- Cinema & Theater
-
- Department Stores



SPECIFICATIONS

User Interface

- 320 x 240 pixel, 16-color graphical backlit color 5.7 inch display
- 16-key keypad
- Additional 8 back-lit soft keys (4 on each side of the display)
- Multi-language character/font support

Cash Withdrawal

- Single or multi-denomination dispenser with easy cash refilling capability
- Holds up to ± 2000 notes per dispenser (model dependent)
- Fast cash from checking accounts

Printer

- Thermal, 12 lines/second
- 80 mm paper roll
- Automatic paper cutter

Card Reader

- Swipe magstripe reader
- Smart Card reader (optional)
- Hybrid reader (optional)

Communication

- 14,400 baud line modem
- Optional radio (GSM/GPRS, CDPD, Mobitex, DataTac, CDMA)
- TCP/IP protocol

Memory

- Powerful 32-bit Motorola processor, type EC68000 including specially designed ASIC
- 4 MB flash memory for loader, OS, applications
- RAM: 1 MB (standard) up to 4 MB

Optional Features

- Cash acceptor allows cash payment for prepaid services (wireless, phone cards, debit, etc.)
- Prepaid card dispenser
- On-board 16 MB flash memory for electronic journal
- Memory card slot for expansion up to 256 MB
- Smart card reader
- 4 internal SAMs
- Track 2&3 card reader
- Insert type magnetic card reader
- High Security lock and key mechanism

Dimensions

- 55.94" (H) | 1420mm (H)
- 56.73" (H) | 1440mm (H) with legs
- 15.83"(W) | 402mm (W)
- 23.62" (D) | 600mm (D)

SOFTWARE

Management

- Remote ATM Management, enables total management from remote location
- Remote downloading, for software & graphic updates & enhancements

Security

- Door opening sensors
- Interface to external alarm system (optional)
- UL291 business hours approved enclosure
- IEC60950 approved

Easy for Everyone

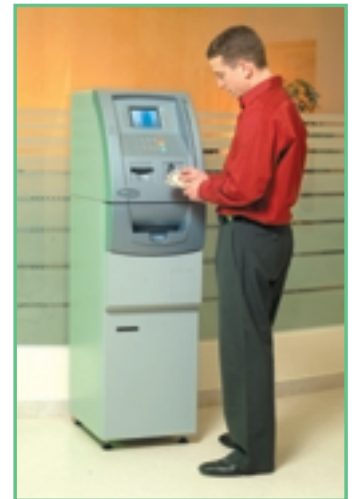
The **NURIT 6000's ergonomic keypad** enables **easy navigation** through **intuitive menus** with **multi-language support**. Sophisticated and **secure**, the keyboard meets international standards, safeguarding users from fraudulent intrusion through full protection of encryption keys.

The **NURIT 6000** complies with ADA requirements for **customers with special needs**.

Maintenance-Free Operation

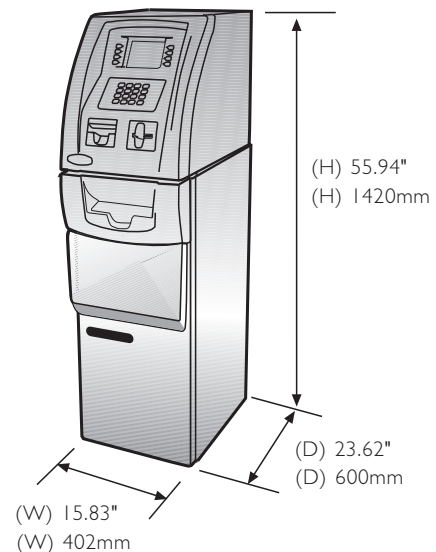
Easy to install, operate, and maintain, the **compact, low-cost, and dependable NURIT 6000** is a small investment that generates a big return.

Requiring **minimal participation** from the merchant, the **NURIT 6000** has been engineered for **maintenance-free performance, low cost of ownership**, and a level of **reliability** that busy merchants can count on.



Features

- Small footprint
- Graphic backlit color display
- Cash acceptor (Optional)
- Prepaid card dispenser (Optional)
- Tamper-proof, detachable, secure, ergonomically-designed keyboard
- Heavy-duty thermal printer
- Multi-note cash dispenser with 1,2,3, or 4 currency drawers
- Multi-language support
- Secure cabinet
- Electronic journal
- Connection to the NURIT Control Center
- Convenient access for customers with special needs
- Built-in smart card reader (Optional)
- Management System; back-office monitoring & reporting through PC or web-based service



Lipman, NURIT, NURIT 6000 and NOS are trademarks of Lipman Electronic Engineering Ltd., and may be registered in certain jurisdictions. Other company and brand, product and service names are trademarks or registered trademarks of their respective holder. Data and specifications are subject to change without notice.



LIPMAN International Headquarters

11 Ha'amal Street, Park Afek Rosh-Ha'ayin 48092, ISRAEL Tel: +972 3 902 9730 Fax: +972 3 902 9731 e-mail: mail@lipman.co.il website: www.lipman.co.il

Lipman USA

50 Gordon Drive
Syosset, NY 11791, USA
Tel: +1 516 484 9898
Fax: +1 516 484 9057
e-mail: info@lipmanusa.com
website: www.lipmanusa.com

Lipman China

Room 601,
Beijing Capital Times Square,
No. 88 West Chang'an Avenue,
Beijing 100031, P.R.C.
Tel: +86 10 839 13700/01/02
Fax: +86 10 839 13703
e-mail: lipman@public3.bta.net.cn
website: www.lipman-china.com

Lipman Far East

7 Temasek Boulevard
The Penthouse #44-01
Suntec Tower 1
Singapore 038987, SINGAPORE
Tel: +972 3 902 9750
Fax: +972 3 902 7591
e-mail: info@lipmanfareast.com
website: www.lipmanfareast.com

Lipman Spain

Calle Orense, nº 32
1ª planta, Ofc. 3
Madrid 28020, SPAIN
Tel: +34 91 598 2140
Fax: +34 91 597 0097
e-mail: nuritsys@lipman.es
website: www.lipman.es

Lipman CIS

35 Myasnitskaya Street,
Moscow 101990, RUSSIA
Tel: +7 095 933 2230
Fax: +7 095 204 1080
e-mail: lipman@gutatelecom.ru
website: www.lipman.ru

Lipman Turkey

Main Office: Spring Giz Plaza B Blok
No:17 34398 Maslak - İstanbul, TURKEY
Tel: +90 212 276 3388 Fax: +90 212 276 3898
Branch: İstanbul AHL Serbest Bölgesi Plaza
No:331 34149 Havalimani - İstanbul, TURKEY
Tel: +90 212 465 0424 Fax: +90 212 465 0423
e-mail: mail@lipman.com.tr
website: www.lipman.com.tr